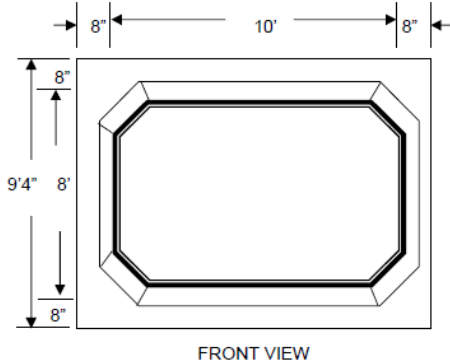
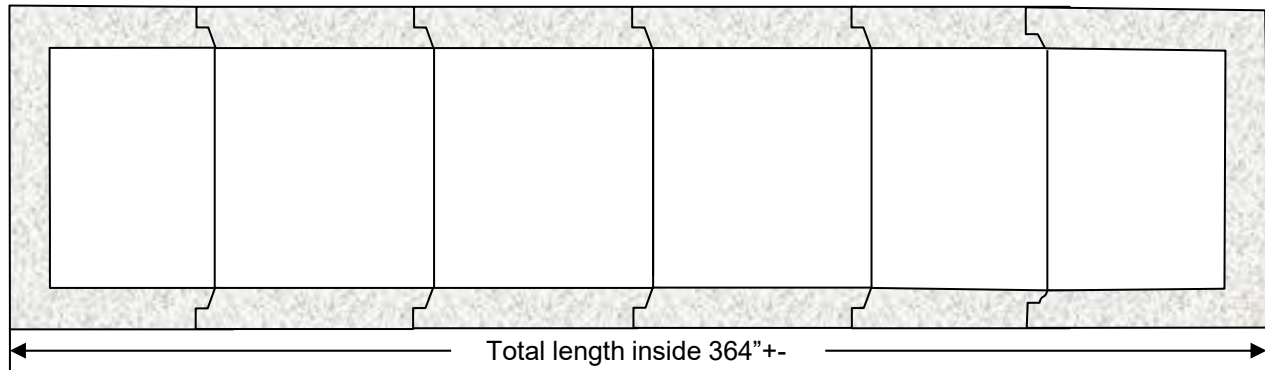


William N. Lamarre Concrete Products, Inc.

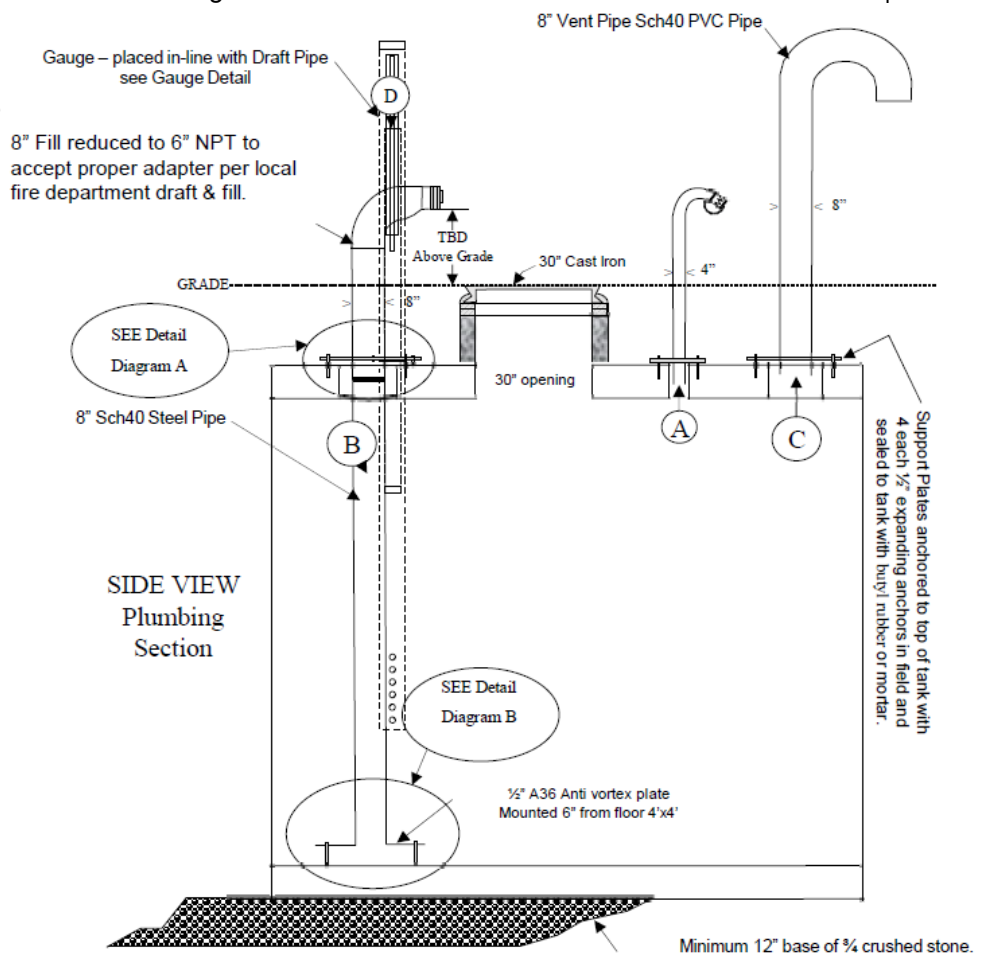
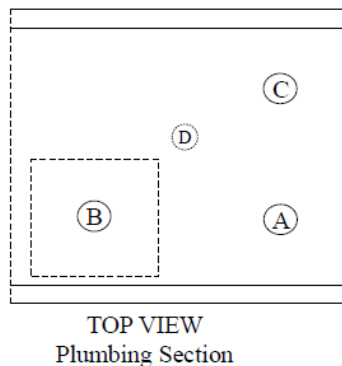
15,000 Tunnel Tank – Fire Cistern

See Full Size 30,000 Fire Cistern Engineered Plan for more information on set up.

Not To Scale



KEY	
(A)	Fill
(B)	Draft
(C)	Vent
(D)	Gauge



Notes

- Concrete strength f_c 5000PSI@28 days. Density 150 PCF.
- Cement, Portland Type II or III, ASTM C150-81
- Admixtures, air & plasticizers per ASTM C233-82
- Reinforcement per ASTM A615 for wire fabric and Grade 60 rebar
- Design Loading AASHTO HS20-40
- Constructions joints sealed with butyl rubber & grouted after backfill
- Access & Piping per job specs.
- Fire Cistern meets NFPA22 requirements.

15,000 Tank to consist of:
 2-48" ID Ends 28,500# each
 1-48" Center 16,250#
 3-68" Centers 23,500# each