

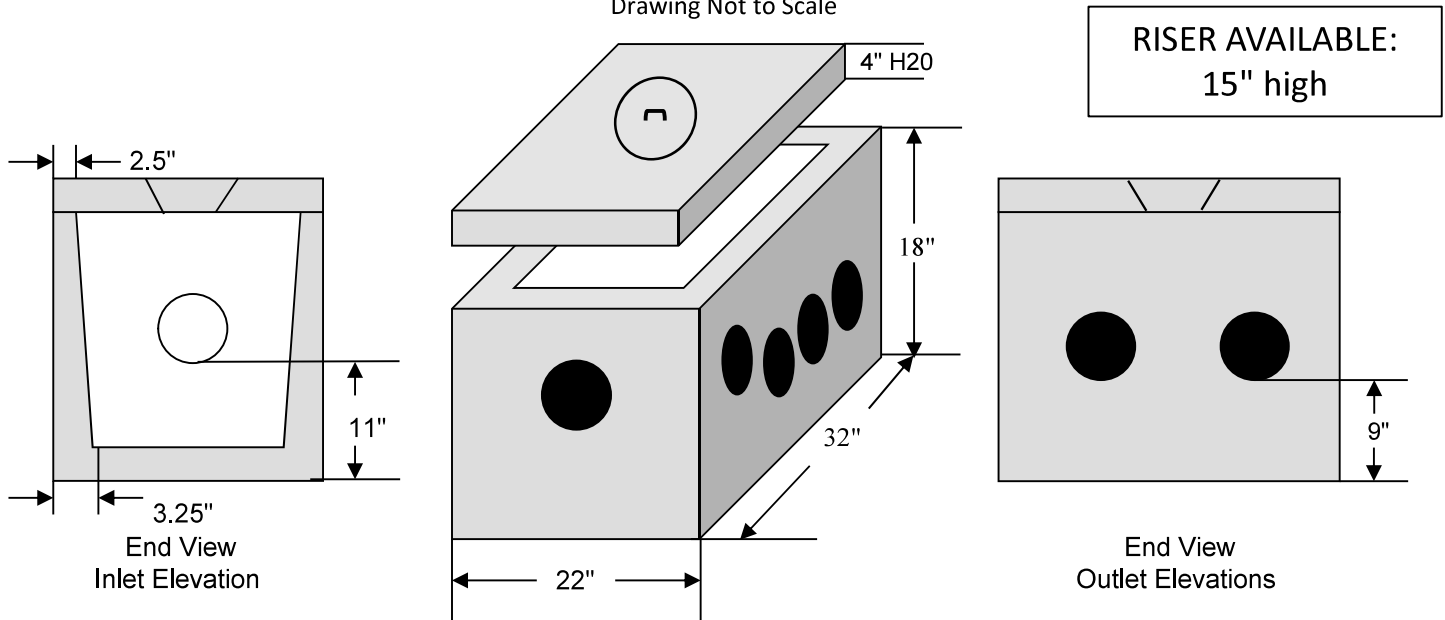
# William N. Lamarre Concrete Products, Inc.

\*\*\*THIS BOX HAS 2 LAYOUTS FOR INLET/OUTLET\*\*\*

## 8 & 10 OUTLET DISTRIBUTION BOXES

### H20 – 8 OUTLET/3 INLET SHOWN

Drawing Not to Scale

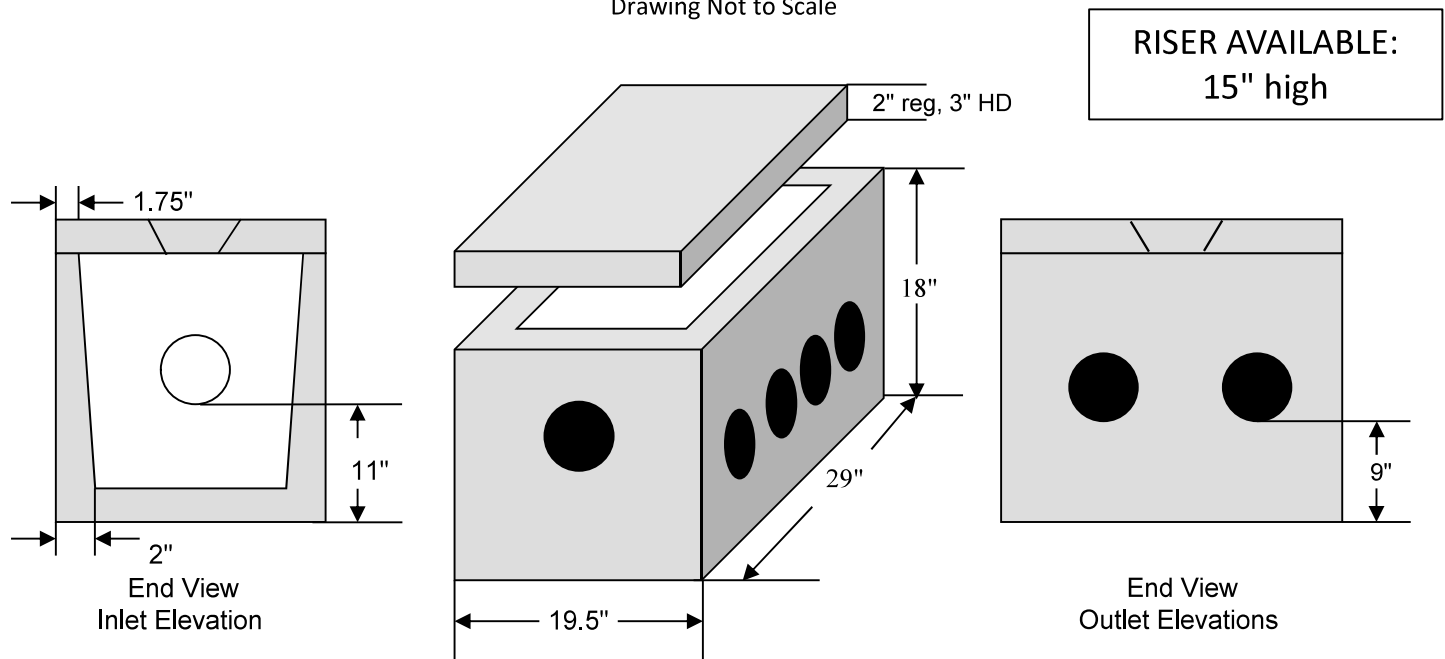


H10 Schematic: H10 cover 2", HD COVER 3", H20 cover 4"

## 8 & 10 OUTLET DISTRIBUTION BOXES

### H10 – 10 OUTLET/1 INLET SHOWN

Drawing Not to Scale



H10 Schematic: H10 cover 2", HD COVER 3" w/cleanout, H20 cover 4" w/cleanout

**For Additional Information See:  
Informational Sheet On All Distribution Boxes**

87 Adams Hill Road, PO Box #333 Greenville, NH 03048  
603-878-1340