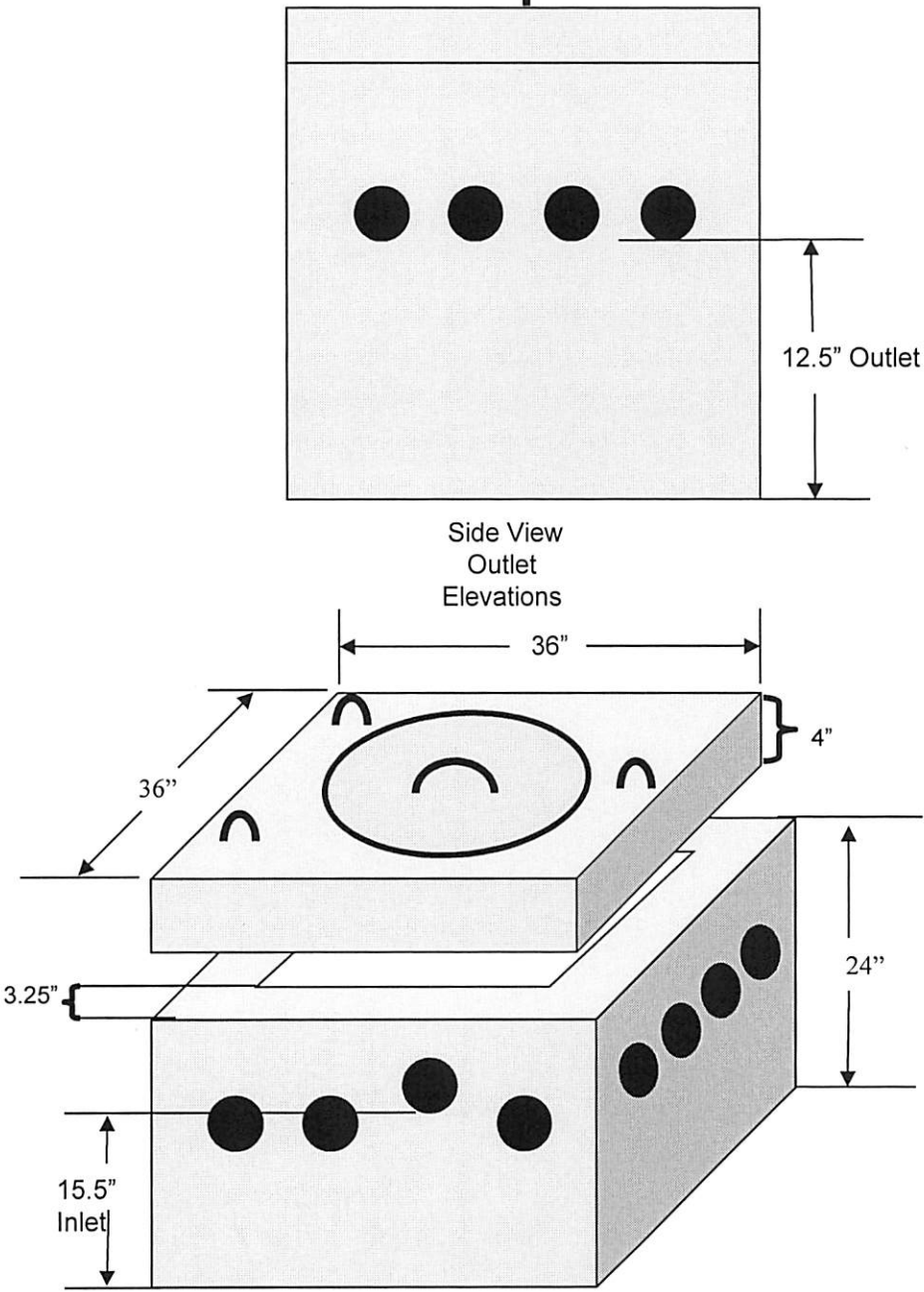


William N. Lamarre Concrete Products, Inc.

LARGE SIZE DISTRIBUTION BOXES 3'x3' DISTRIBUTION BOXES

15 Outlet H2O Distribution Box
(Drawings Not to Scale)



End View - Inlet Elevation

**For Additional Information See:
Informational Sheet On All Distribution Boxes**

P.O. Box #333, 87 Adams Hill Rd, Greenville, NH 03048
603-878-1340 MA 800-937-3435 NH 800-878-0514 Fax: 603 878-3349