

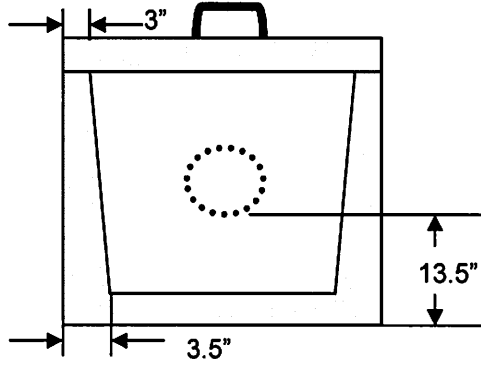
William N. Lamarre Concrete Products, Inc.

LARGE SIZE DISTRIBUTION BOXES

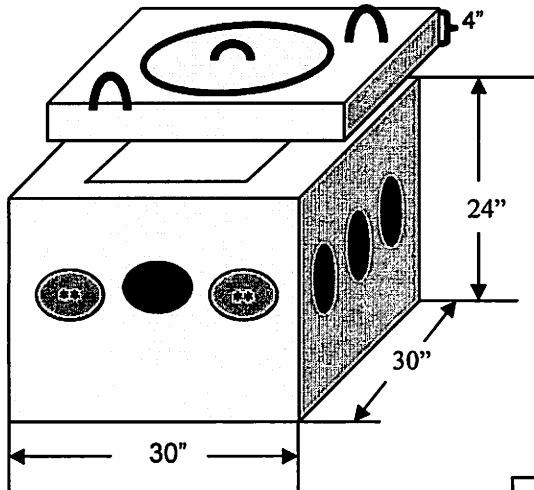
9 or 11 OUTLET H2O (LINCOLN) DISTRIBUTION BOX

(**2 Additional Outlets on Inlet Side w/11 Outlet)

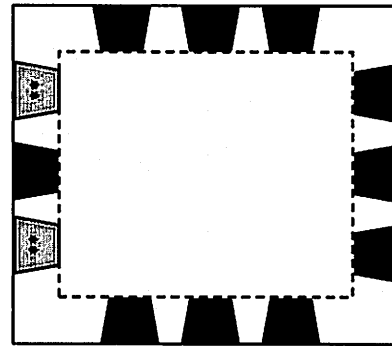
(Drawings Not to Scale)



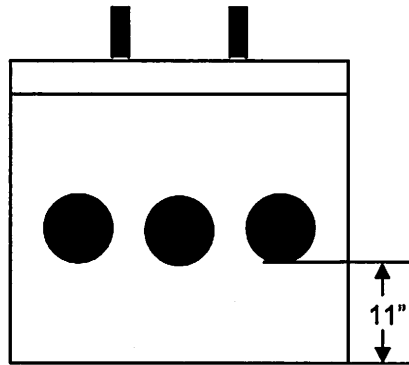
End View
Inlet Elevation



Schematic



Top View



Side View
Outlet Elevations

**For Additional Information See:
Informational Sheet On All Distribution Boxes**