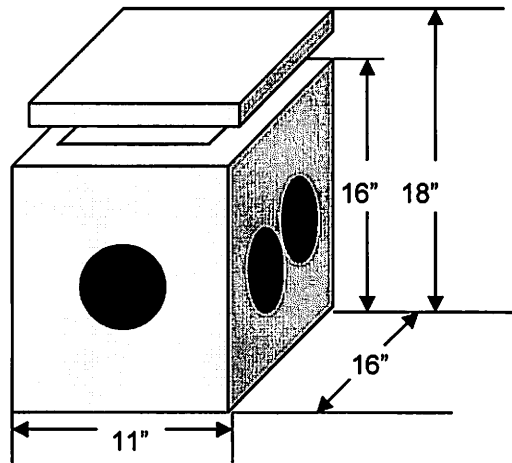


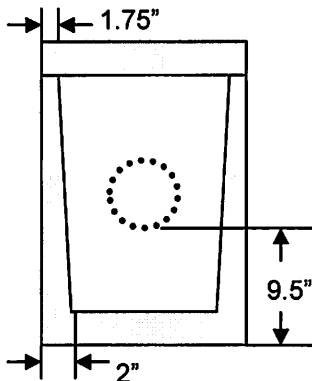
# William N. Lamarre Concrete Products, Inc.

## SMALL DISTRIBUTION BOX 5 OUTLET DISTRIBUTION BOX

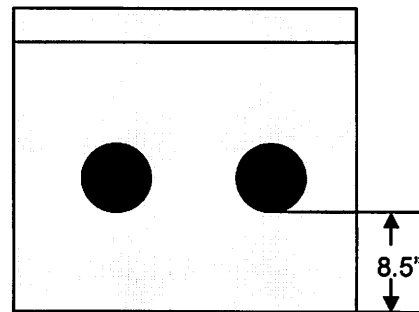
DOES NOT MEET TITLE V – NH ONLY  
(Drawings Not to Scale)



Schematic



End View  
Inlet Elevation



Side View  
Outlet Elevations

**For Additional Information See:  
Informational Sheet On All Distribution Boxes**

**P.O. Box #333, 87 Adams Hill Rd, Greenville, NH 03048  
603-878-1340 MA 800-937-3435 NH 800-878-0514 Fax: 603 878-3349**