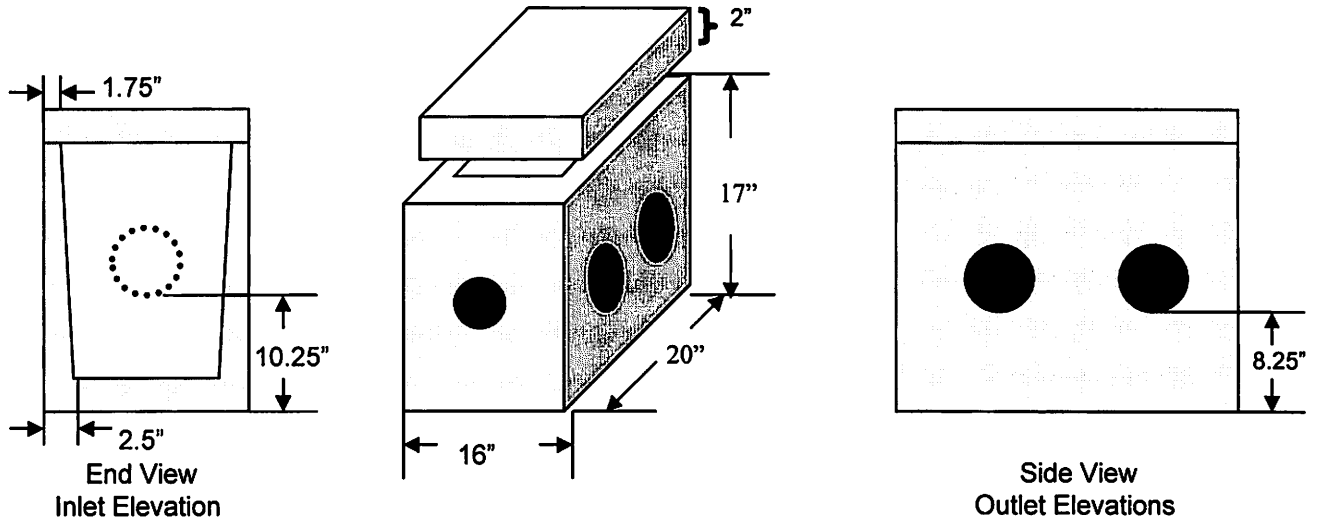


William N. Lamarre Concrete Products, Inc.

MEDIUM SIZE DISTRIBUTION BOXES

5 OUTLET DISTRIBUTION BOX

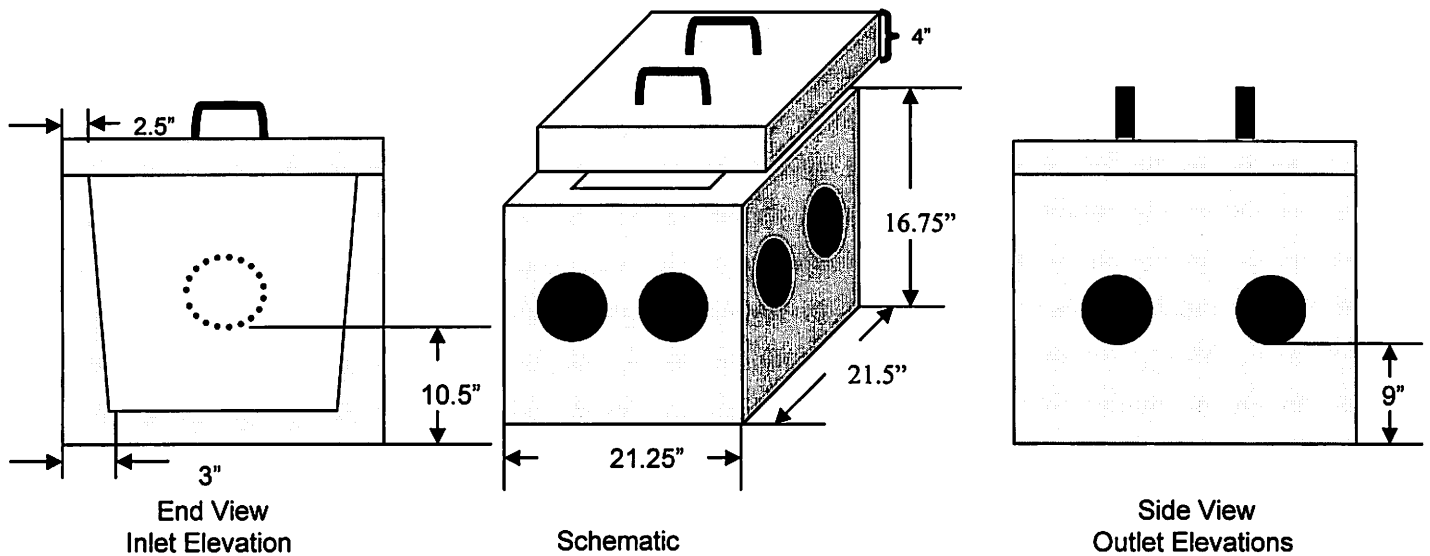
(Drawings Not to Scale)



H10 Schematic
H20 cover 3"

6 OUTLET H20 (WESTFORD) DISTRIBUTION BOX

(Drawings Not to Scale)



Schematic
Outlet Side
3" Cover

**For Additional Information See:
Informational Sheet On All Distribution Boxes**

P.O. Box #333, 87 Adams Hill Rd, Greenville, NH 03048
603-878-1340 MA 800-937-3435 NH 800-878-0514 Fax: 603 878-3349