

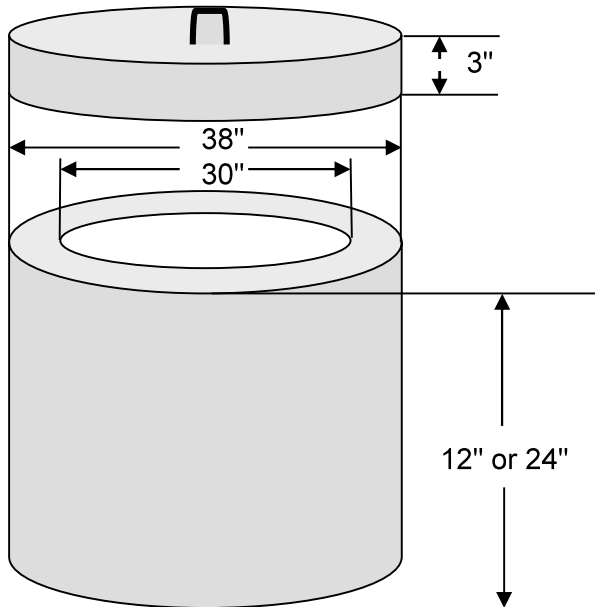
William N. Lamarre Concrete Products, Inc.  
**30" ID – TANK EXTENSION**  
 12" and 24" High Risers, 4" Walls

Drawing Not to Scale

**Covers**

**3" Concrete Cover or  
 3"x30" Medium Duty Cast Iron**

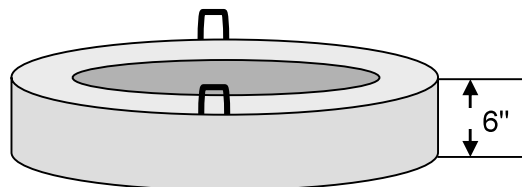
**Now Also  
Available in  
H20  
6" Walls  
 30" ID/42" OD**



**30" ID – GRADE RINGS**  
 6" High Risers

**Covers**

**3" Concrete Cover or  
 3"x30" Medium Duty Cast Iron**



**Notes**

1. Concrete strength f'c 4000PSI@28 days. Density 150 PCF.
2. Cement, Portland Type II or III, ASTM C150-81
3. Admixtures, air & plasticizers per ASTM C233-82
4. Reinforcement per ASTM C1227-latest revision
5. Construction joints sealed with butyl rubber - optional
6. Design conforms to 310 CMR 15.00, Mass Title V specifications