

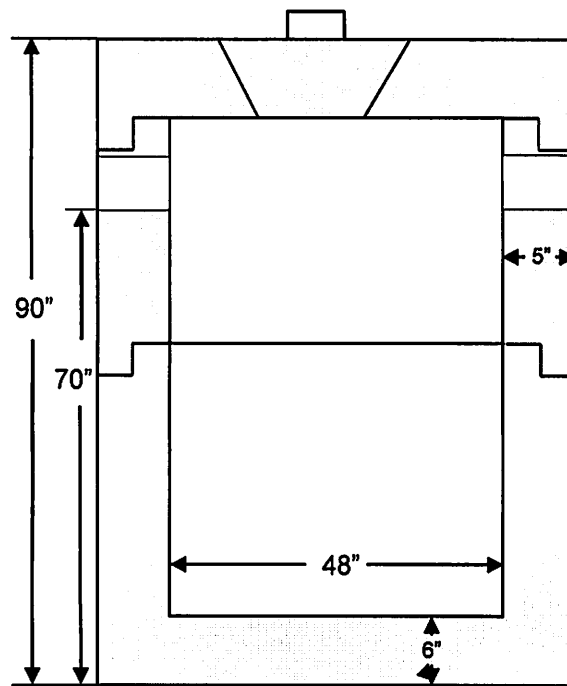
William N. Lamarre Concrete Products, Inc.

4' DIAMETER PUMP CHAMBER

4' inside diameter, 5" walls

H20

(Drawings Not to Scale)



Section View

Notes

1. Concrete strength $f'c$ 4000PSI@28 days. Density 150 PCF
2. Cement, Portland Type II or III, ASTM C150-81
3. Admixtures, air & plasticizers per ASTM C233-82
4. Reinforcement per ASTM C1227-latest revision
5. Design Loading AASHTO HS20-40 Available
6. Stackable to desired height
7. Shown w/42" Sump (3500#), 36" Riser (2500#), Cone Replacement (1000#)
8. Inlet & Outlet are booted to 4" pipe.