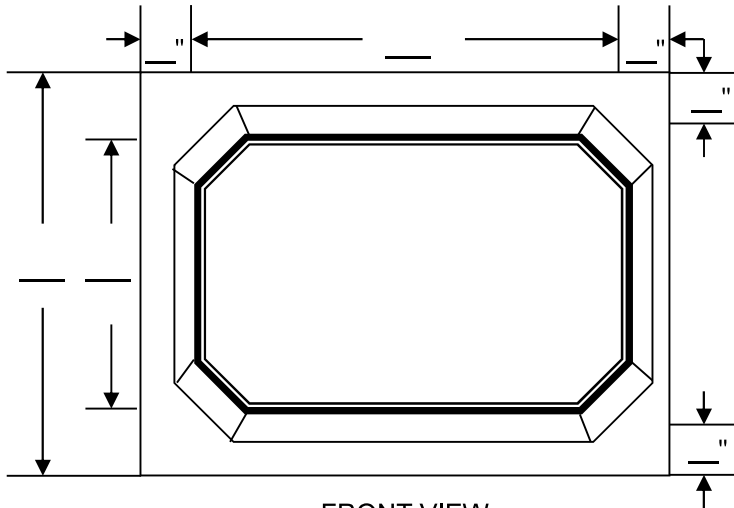


# William N. Lamarre Concrete Products, Inc.

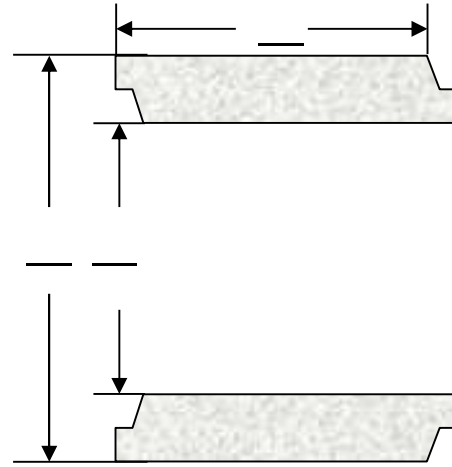
## BOX CULVERT

Sizes Vary to meet specifications needed.

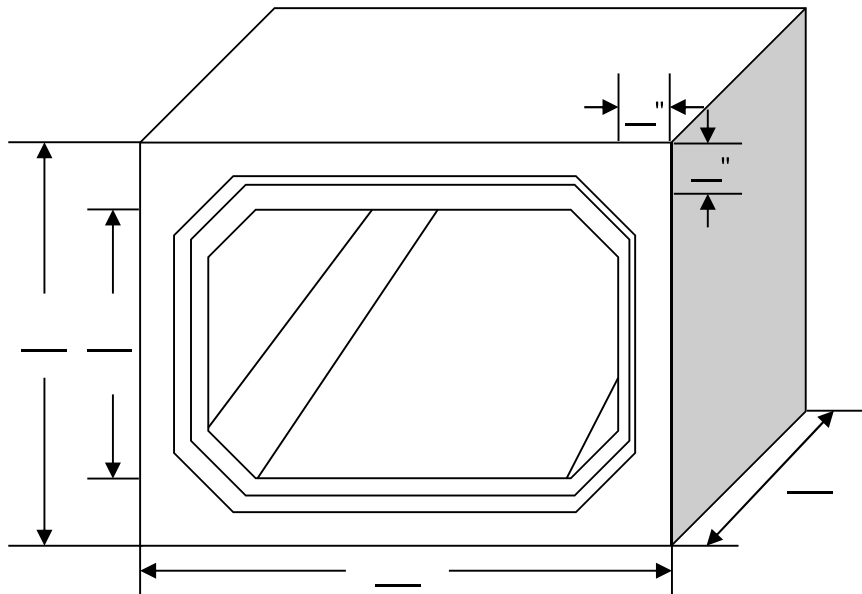
Drawing Not to Scale



FRONT VIEW



SIDE VIEW  
CROSS SECTION



FRONT VIEW

### Notes

1. Concrete strength  $f_c$  5000PSI@28 days. Density 150 PCF.
2. Cement, Portland Type II or III, ASTM C150-81
3. Admixtures, air & plasticizers per ASTM C233-82
4. Design Loading AASHTO HS20-40
5. Constructions joints sealed with butyl rubber
6. Access & Piping per job specs.