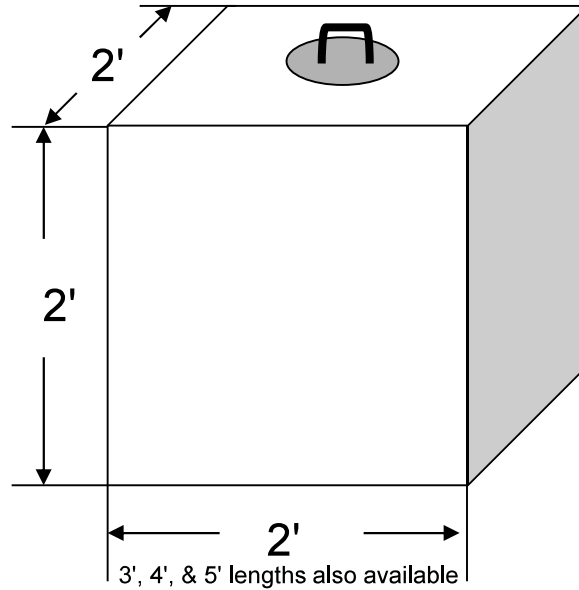


# William N. Lamarre Concrete Products, Inc.

## THRUST BLOCKS

Drawing Not to Scale



Sizes Available:

2'x2'x2' ~ 2'x2'x3' ~ 2'x2'x4' ~ 2'x2'x5'

### **Notes**

1. Concrete strength f'c 4000PSI@28 days. Density 150 PCF.
2. Cement, Portland Type II or III, ASTM C150-81
3. Admixtures, air & plasticizers per ASTM C233-82