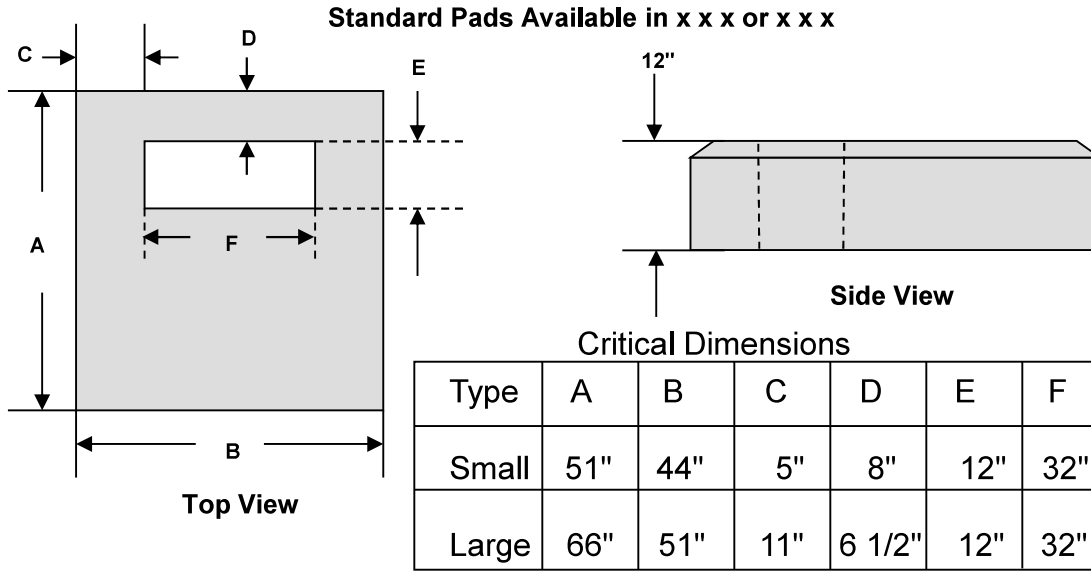


# William N. Lamarre Concrete Products, Inc.

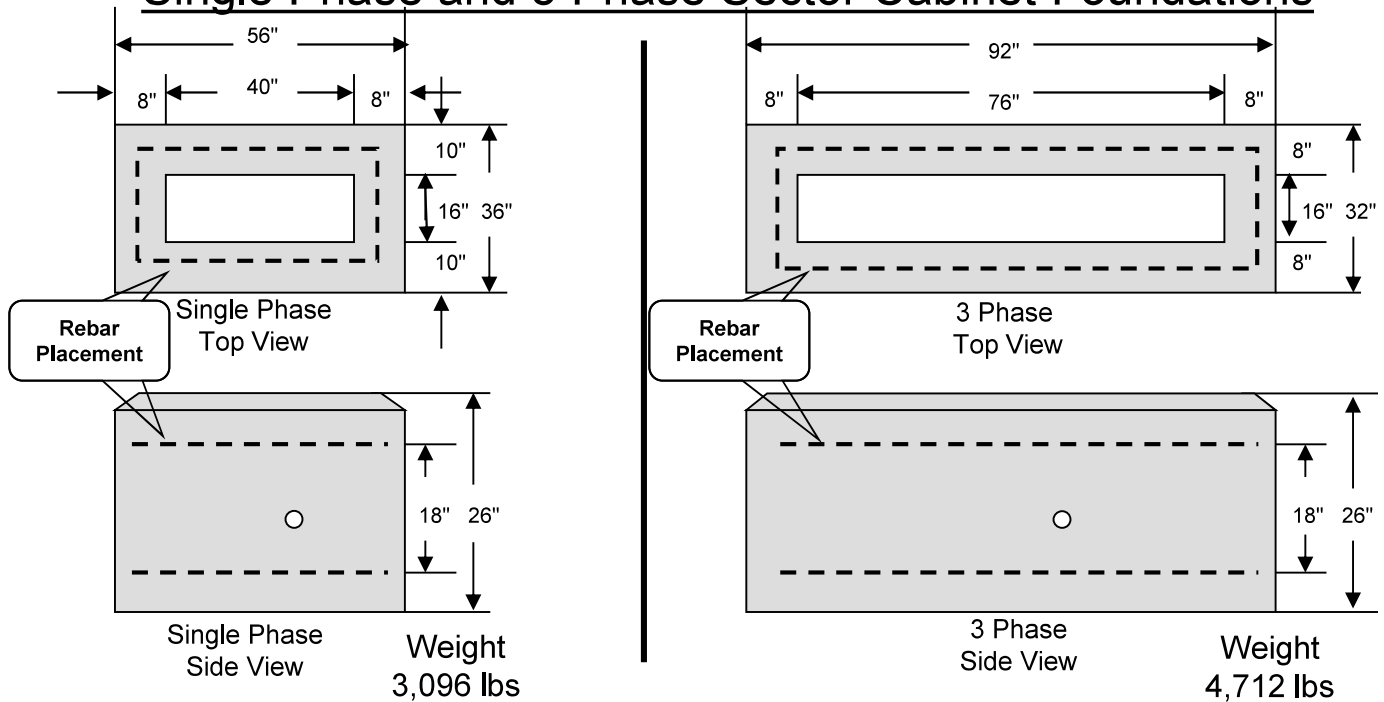
## TRANSFORMER PADS

Drawing Not to Scale



### Public Service of NH Compliant

#### Single Phase and 3 Phase Sector Cabinet Foundations



**Notes**

1. 1" PVC Conduit Sleeve through foundation for grounding leads.
2. Rebar 1/2" grade 60, 2 rings (See dashed lines), tied in place.
3. Edges chamfered at least 1" inch.
4. Concrete strength f'c 4000PSI@28 days. Density 150 PCF. Cement, Portland Type II or III, ASTM C150-81
5. Admixtures, air & plasticizers per ASTM C233-82