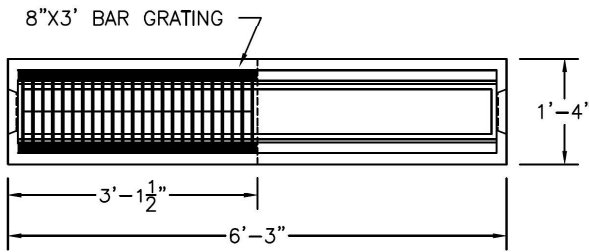
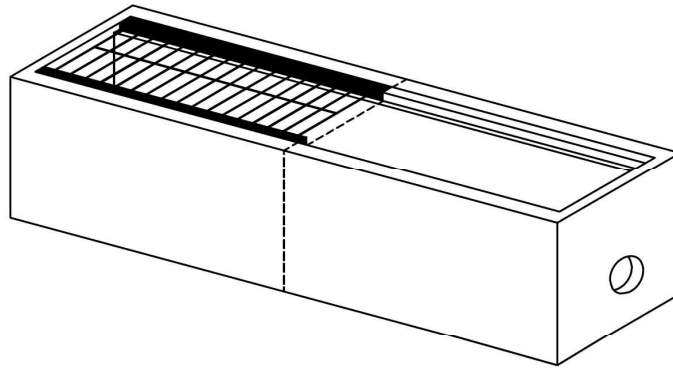


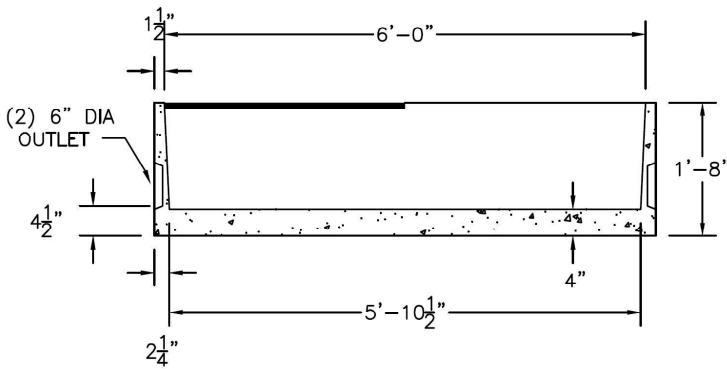
William N. Lamarre Concrete Products, Inc.

TRENCH DRAIN

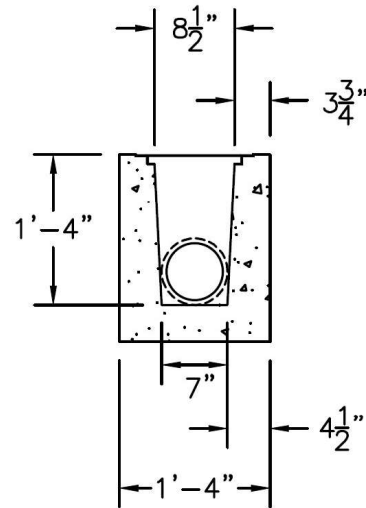
Drawing Not to Scale



PLAN VIEW



SIDE SECTION VIEW



END SECTION VIEW

Notes

1. Concrete strength f'c 4000PSI@28 days. Density 150 PCF.
2. Cement, Portland Type II or III, ASTM C150-81
3. Admixtures, air & plasticizers per ASTM C233-82
4. Available in 3' & 6' End Sections / 6' Middle Sections
5. Conforms to H20 Loading