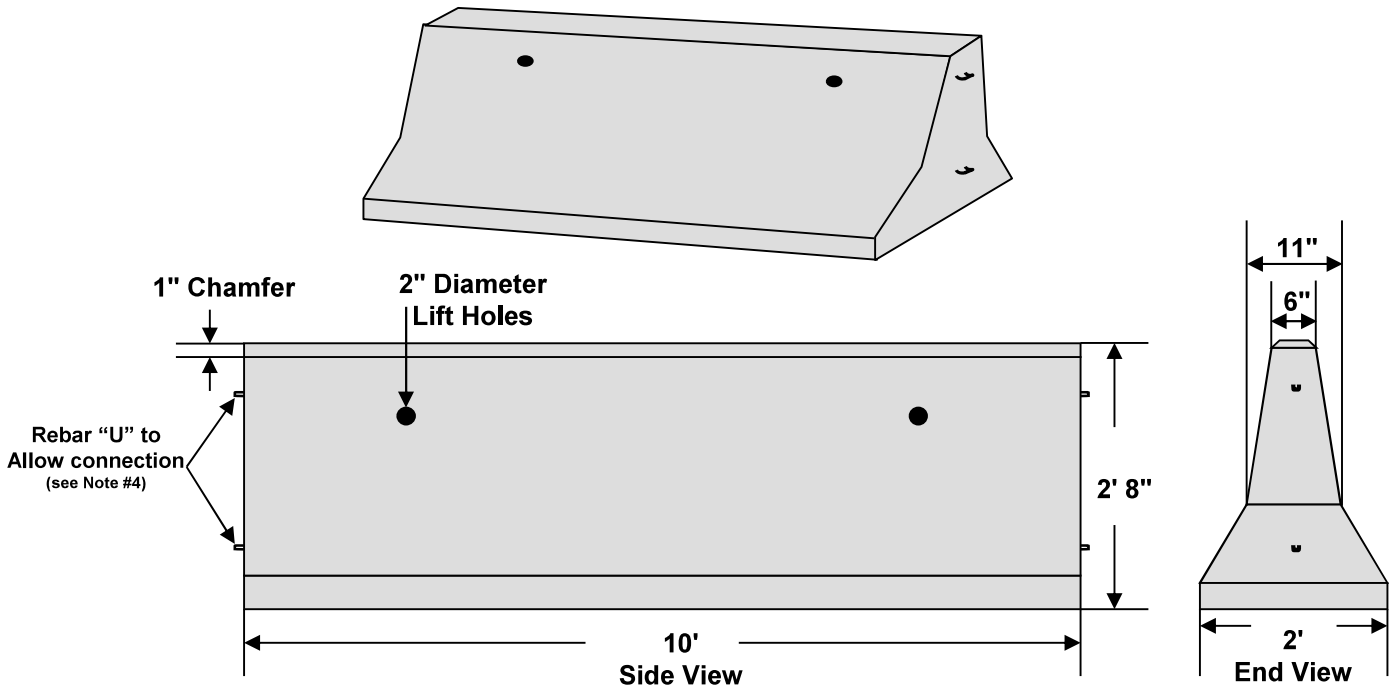


# William N. Lamarre Concrete Products, Inc.

## JERSEY BARRIERS

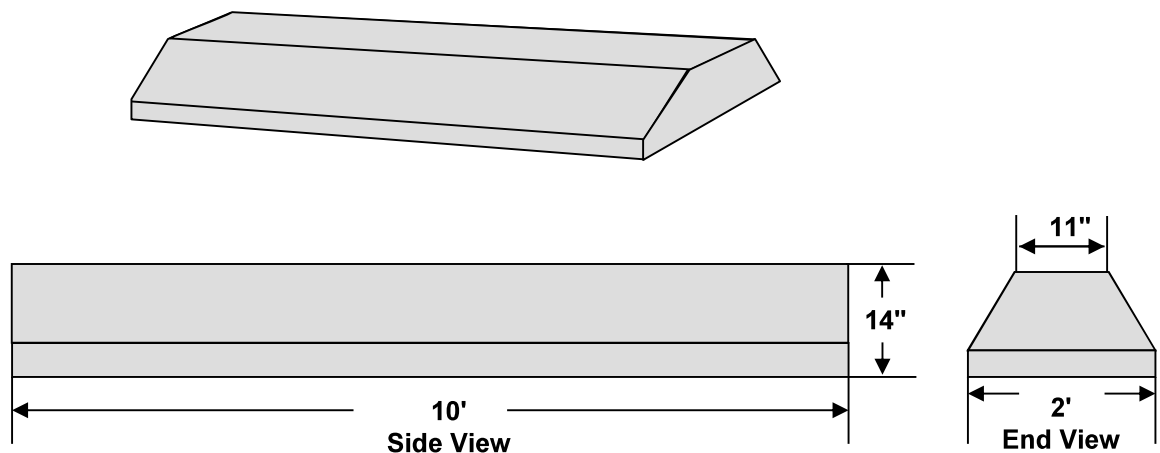
### Purchase or Rental

Drawing Not to Scale



## TRUCK WHEEL STOPS

(Drawings Not to Scale)



### Notes

1. Concrete strength  $f'c$  4000PSI@28 days. Density 150 PCF.
2. Cement, Portland Type II or III, ASTM C150-81
3. Admixtures, air & plasticizers per ASTM C233-82
4. Jersey Barriers: 2-Rebar "U" located on each side (located 6"± from bottom & top) to allow for 6/8" rebar rod inserted to connect. (6/8" rebar rod sold separately)