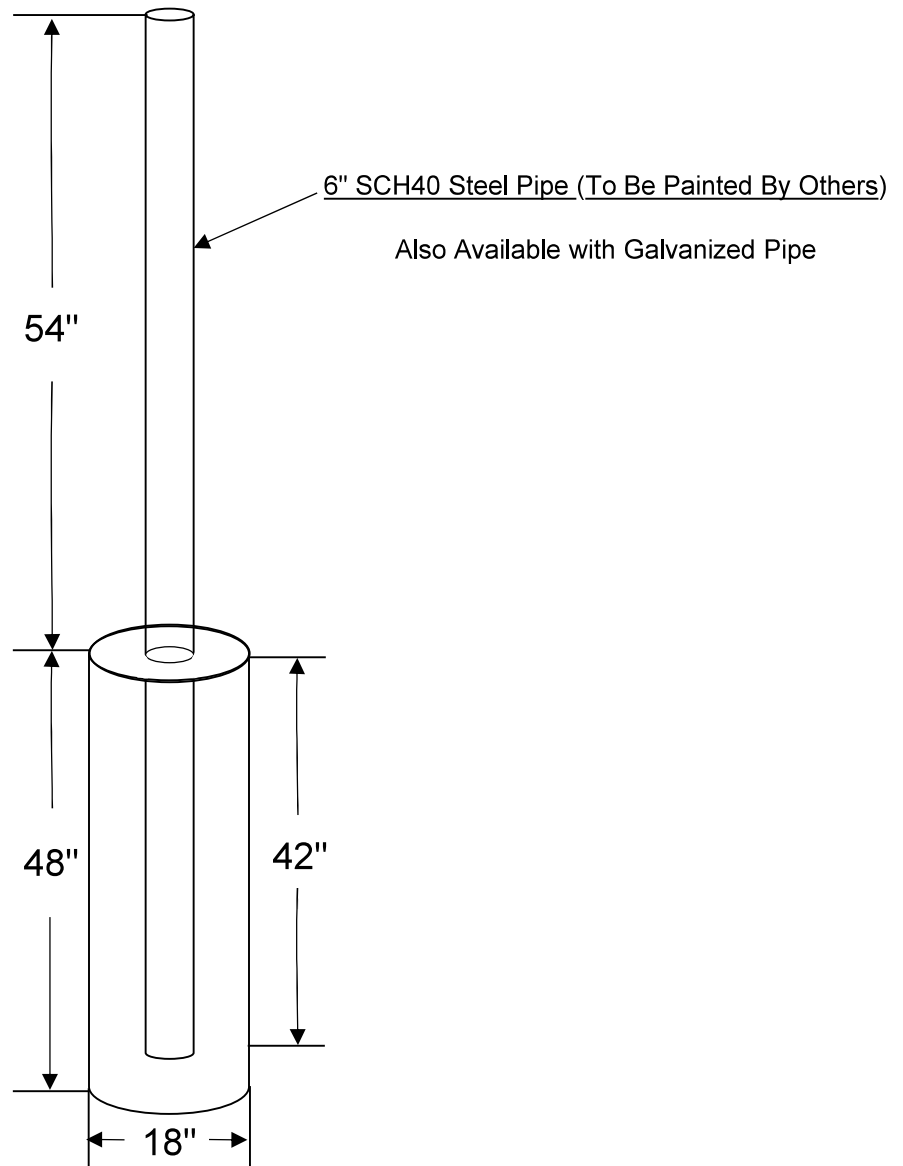


William N. Lamarre Concrete Products, Inc. BOLLARDS w/FOUNDATION

Drawing Not to Scale



Notes

1. Concrete strength f'_c 4000PSI@28 days. Density 150 PCF.
2. Cement, Portland Type II or III, ASTM C150-81
3. Admixtures, air & plasticizers per ASTM C233-82