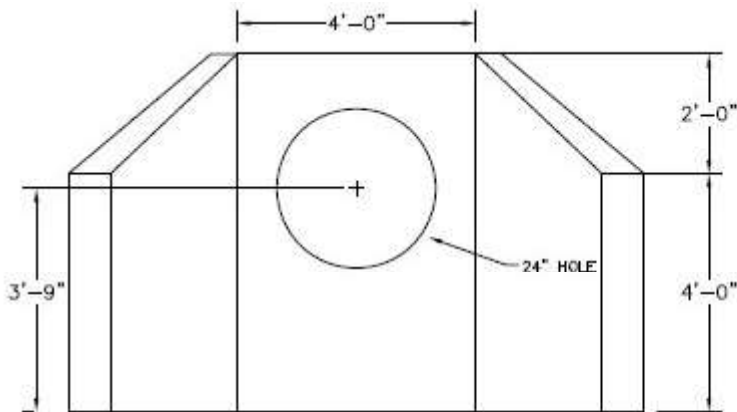
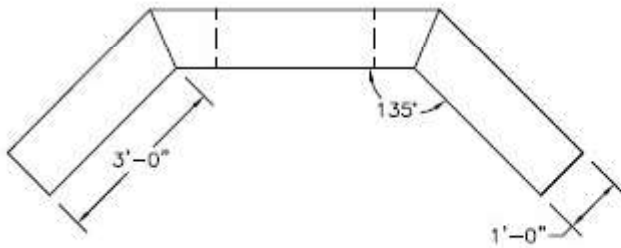
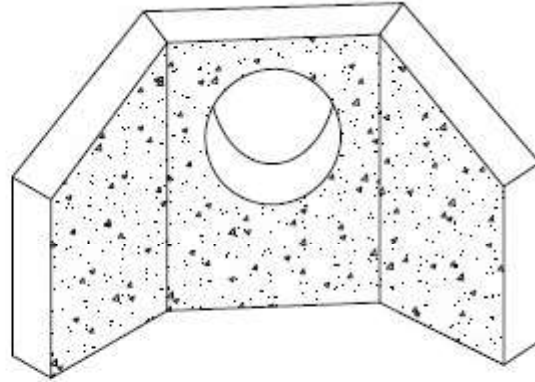


William N. Lamarre Concrete Products, Inc.

WING HEADWALL

Drawing Not to Scale



Notes

1. CONCRETE: 4,000 PSI MINIMUM AFTER 28 DAYS.