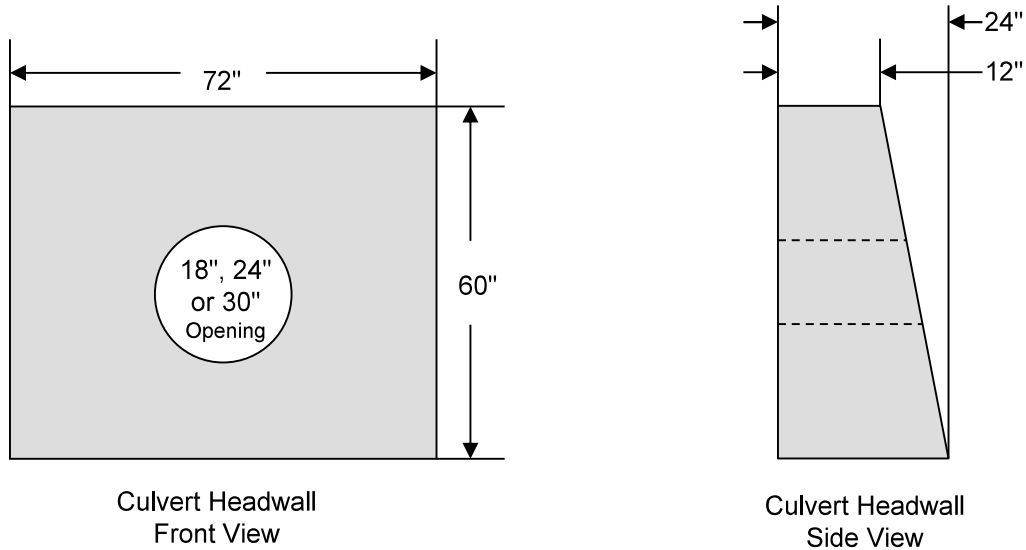


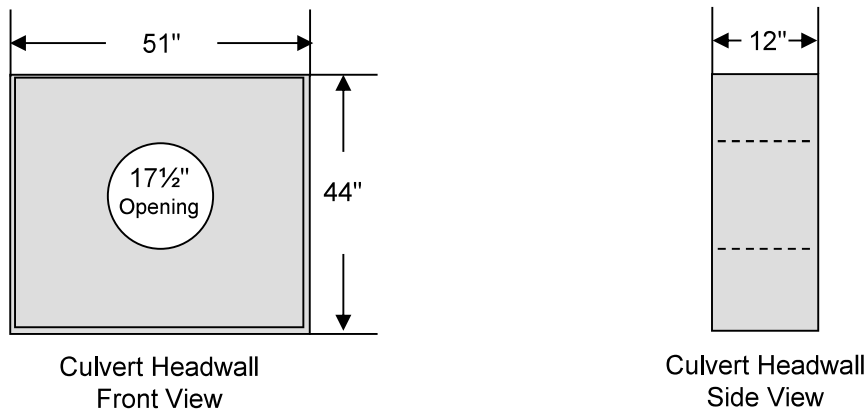
William N. Lamarre Concrete Products, Inc.

CULVERT HEADWALL – STONE FACE

Drawing Not to Scale



MINI HEADWALL – PLAIN FACE



Notes

1. Concrete strength f'c 4000PSI@28 days. Density 150 PCF.
2. Cement, Portland Type II or III, ASTM C150-81
3. Admixtures, air & plasticizers per ASTM C233-82