

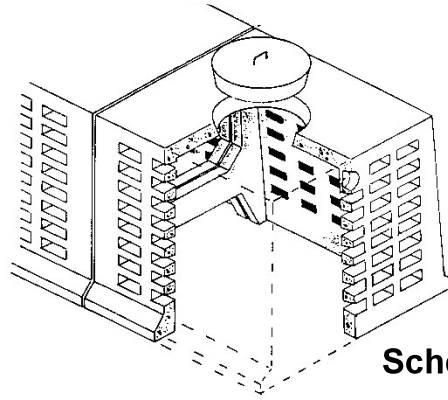
# William N. Lamarre Concrete Products, Inc.

## 4'x4'x4' & 4'x4'x3' LEACHING GALLEYS

H2O Top loading Only

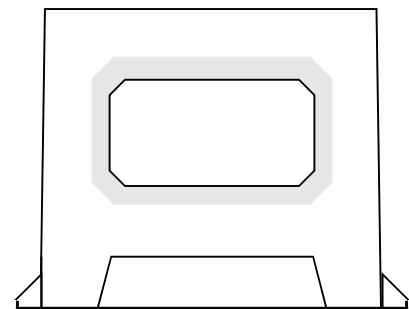
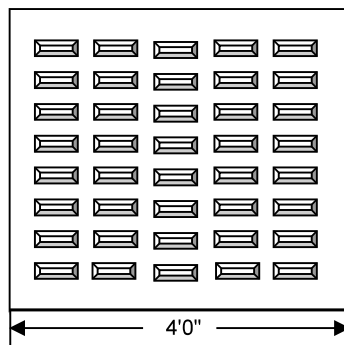
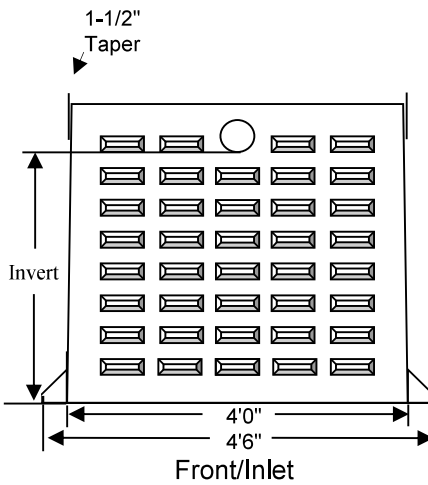
Cover 1' - 5'

Drawing Not to Scale

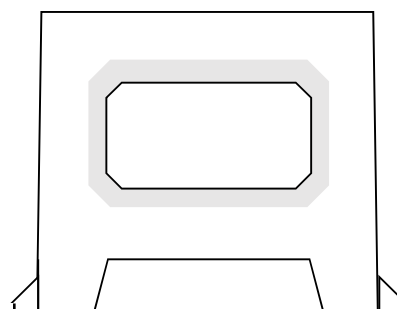
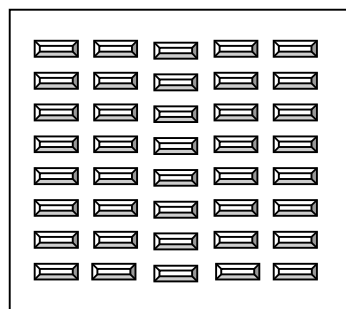


Chamber	Invert
4'x4'x4'2"	40"
4'x4'x3'2"	24"

Schematic



End Unit Diagrams



Middle Unit Diagrams

### Notes

1. Concrete strength  $f'c$  4000PSI@28 days. Density 150 PCF.
2. Cement, Portland Type II or III, ASTM C150-81
3. Admixtures, air & plasticizers per ASTM C233-82
4. Reinforcement per ASTM C1227-latest revision
5. Conforms to Mass Title V specifications
6. Top thickness is 6", Wall thickness is 3"