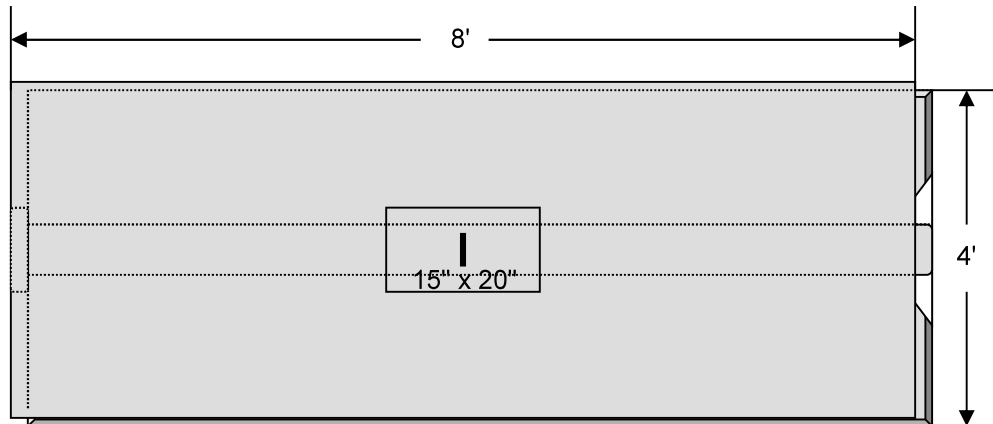


William N. Lamarre Concrete Products, Inc.

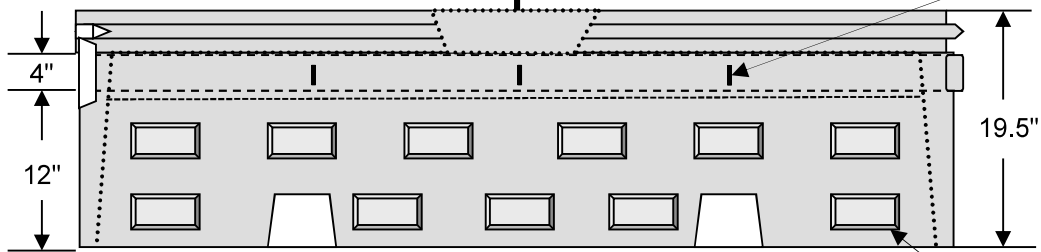
"L" FLO-DUC DISSIPATOR

HD Top loading Only

Drawing Not to Scale



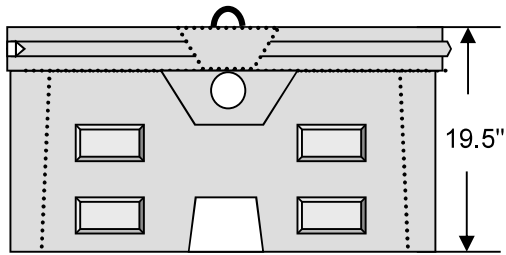
Top View



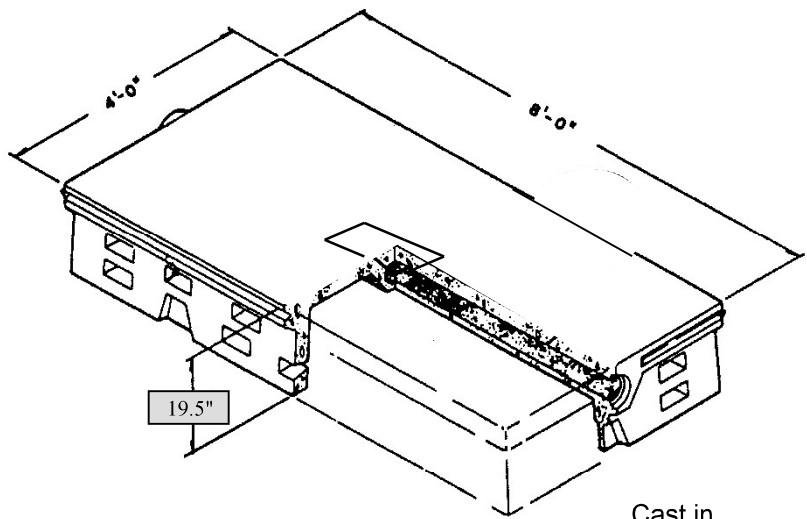
Side View

3/8" Slots in Flo duct see note #6

2"x4" openings



End View



Cast in Duct

Notes

1. Concrete strength $f'c$ 4000PSI@28 days. Density 150 PCF.
2. Cement, Portland Type II or III, ASTM C150-81
3. Admixtures, air & plasticizers per ASTM C233-82
4. Reinforcement per ASTM C1227-latest revision
5. Conforms to Mass Title V specifications
6. 6 – 3/8" Slots in Flo Duct – 2 located 2' in from each side & 2 in center