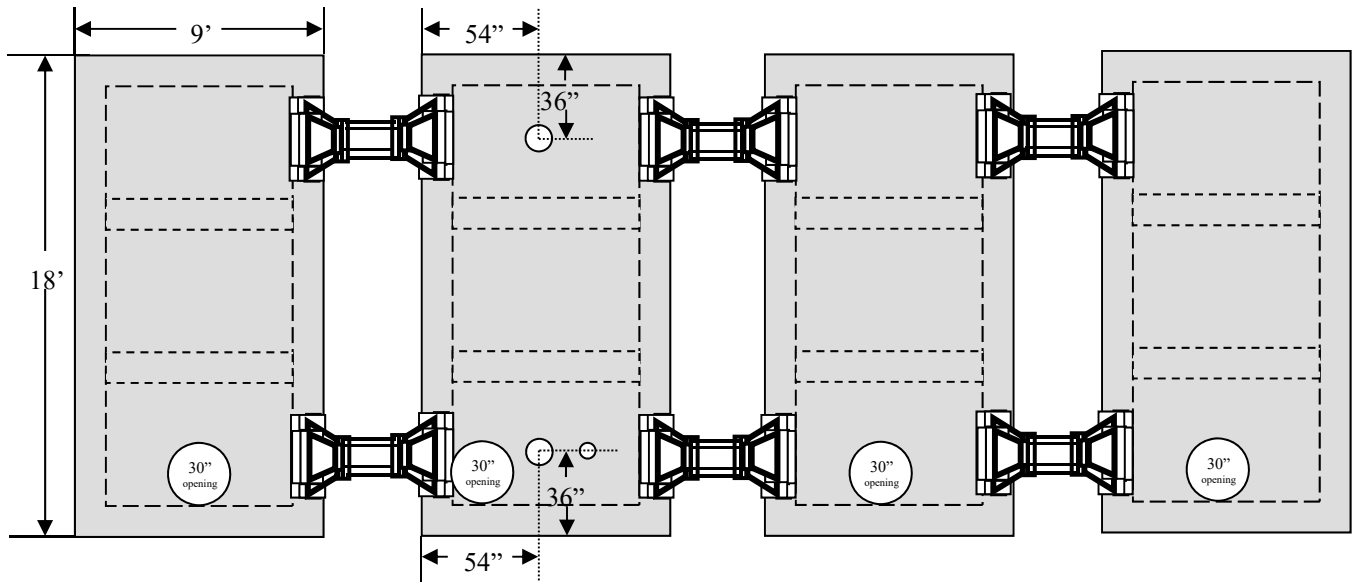


# William N. Lamarre Concrete Products, Inc.

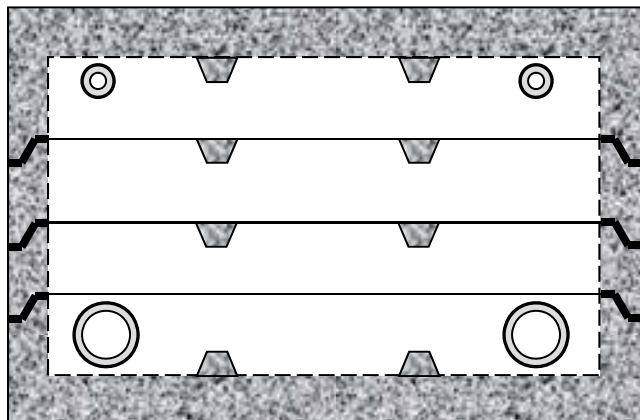
## 40,000 FIRE CISTERN

4 – connecting tanks shown  
(Drawings Not to Scale)

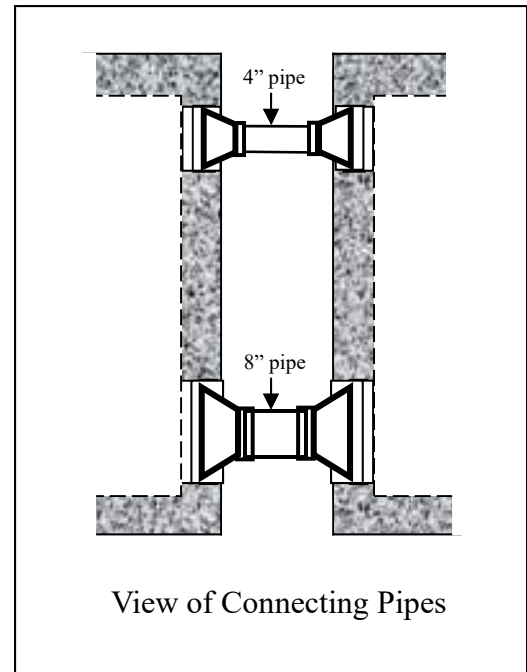


Top View

Critical Measurements 4-10,000=40,000		
Length	Width	Height
18'	9'	139"



Side View



View of Connecting Pipes