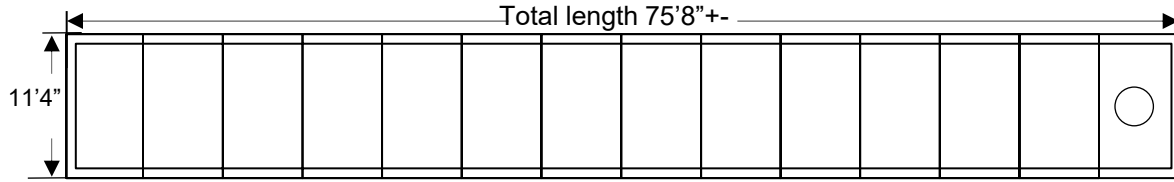


William N. Lamarre Concrete Products, Inc.

40,000 Tunnel Tank – Fire Cistern

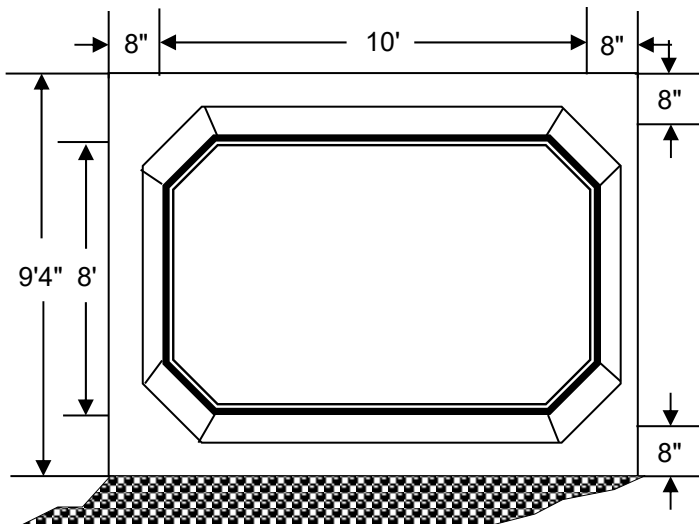
Usable Capacity 41,627+- Gallons w/6" remaining in tank
 General Tank Drawing – Piping on Proposed Fire Cistern pages.

(Not to Scale)



TOP VIEW

Pipe Detail On Proposed Fire Cistern pages

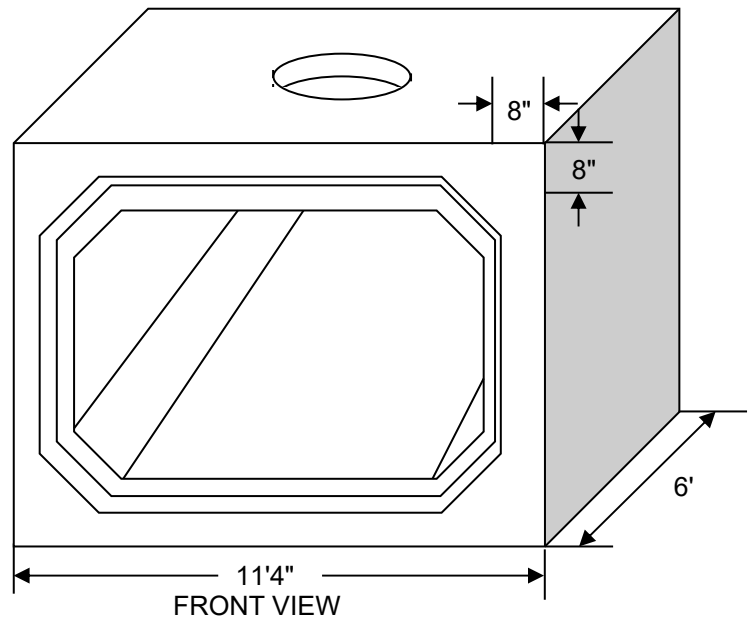


Minimum 12" base of 3/4 crushed stone.

FRONT VIEW

2-48" Ends
 1-48" Center
 11-68" Centers

Openings / Inlet-Outlet
 made to
 Job specifications.



FRONT VIEW

Notes

1. Concrete strength f_c 5000PSI@28 days. Density 150 PCF.
2. Cement, Portland Type II or III, ASTM C150-81
3. Admixtures, air & plasticizers per ASTM C233-82
4. Reinforcement per ASTM C1227-latest revision
5. Design Loading AASHTO HS20-40
6. Constructions joints sealed with butyl rubber
7. Design conforms to 310 CMR 15.00, Mass Title V regs. for septic tanks
8. Access & Piping per job specs.